

GRUNDIG

Kettle

User Manual



WK 7850 B - WK 7850 R
WK 7850 C

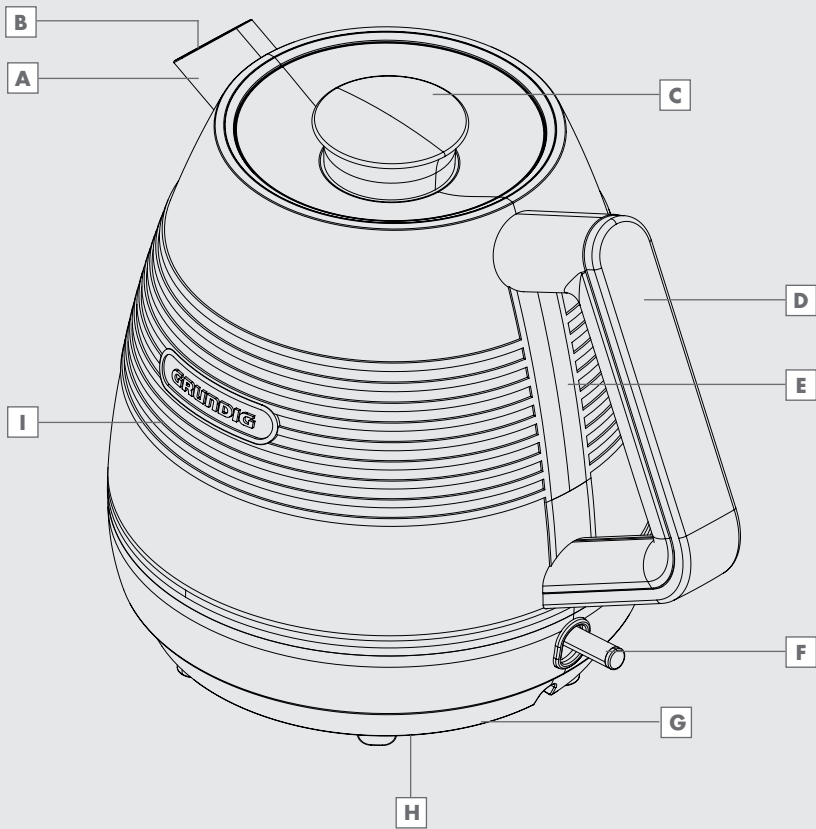
EN

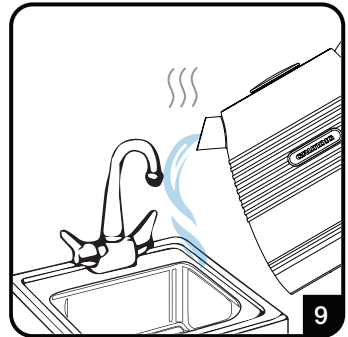
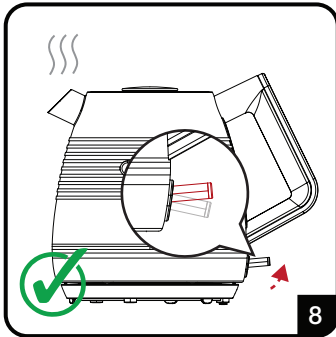
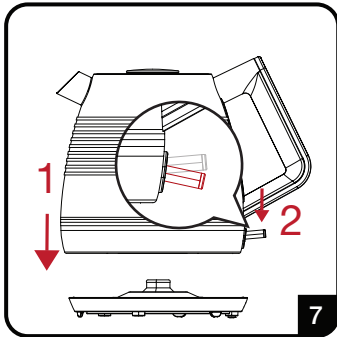
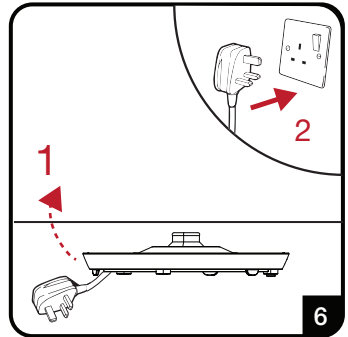
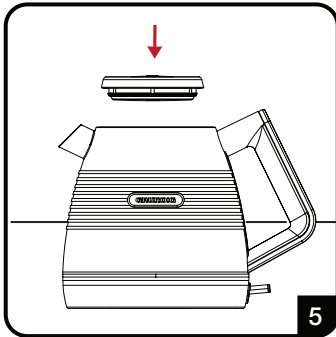
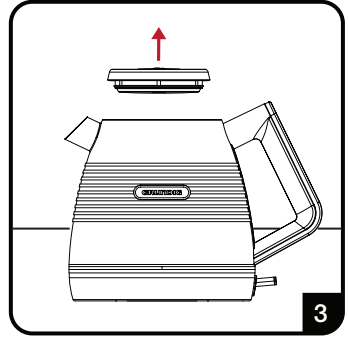
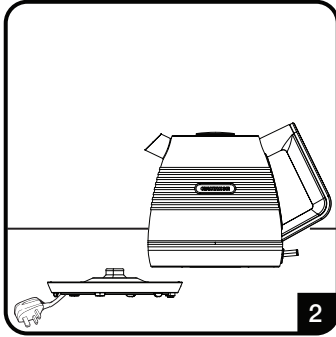
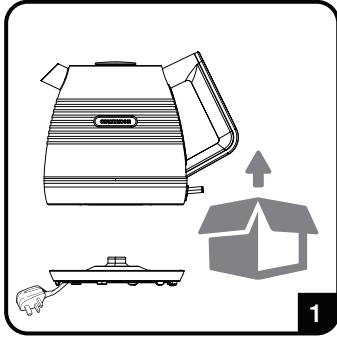


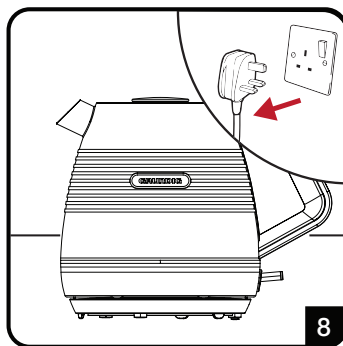
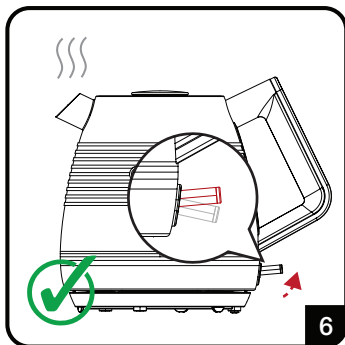
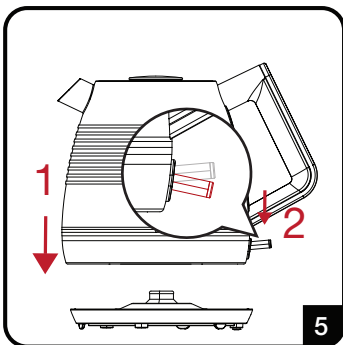
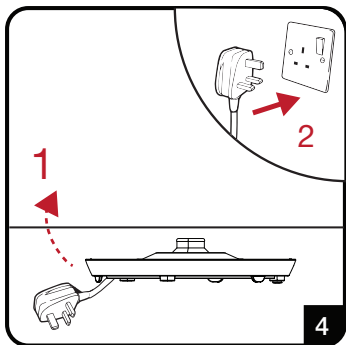
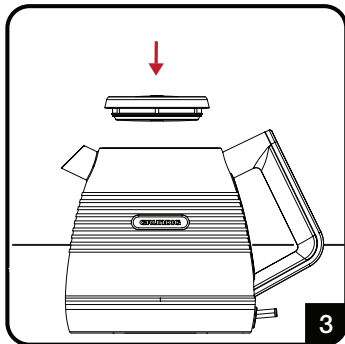
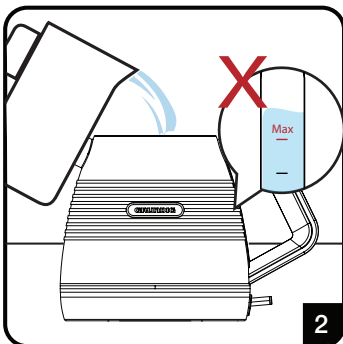
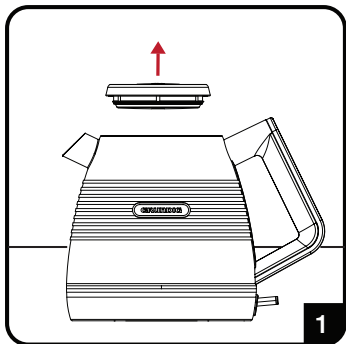
01M-8816833600-0521-04
01M-8816843600-0521-04
01M-8819933600-0521-03

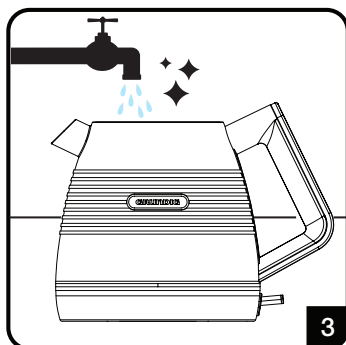
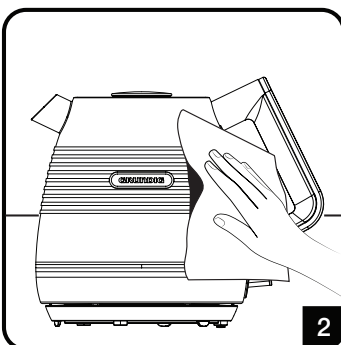
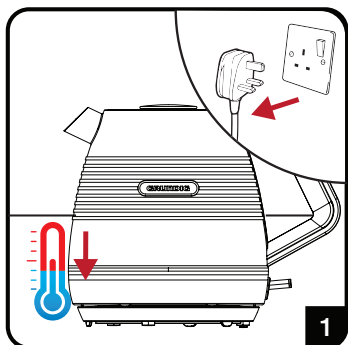
ENGLISH

07-12









EN	FIRST USE	OPERATION	CLEANING AND CARE

SAFETY AND SET-UP

Please read this instruction manual thoroughly prior to using this appliance! Follow all safety instructions in order to avoid damages due to improper use!

Keep the instruction manual for future reference. Should this appliance be given to a third party, then this instruction manual must also be handed over.

- This appliance is intended for private domestic use only and is not suitable for professional-catering purposes. It should not be used for commercial use.
- Do not use the appliance for anything other than its intended use. The kettle is designed for boiling water. Do not use the kettle to boil and heat any other liquids or tinned, jarred, bottled food.
- Never use the appliance in or near to combustible, inflammable places and materials.
- Do not use the appliance outdoors or in the bathroom.
- Check if the mains voltage on the rating label corresponds to your local mains supply. The only way to disconnect the appliance from the mains is to pull out the plug.
- For additional protection, this appliance should be connected to a household faulty current protection switch with no more than 30 mA. Consult an electrician for advice.
- Do not immerse the appliance, base, power cord or power plug in water or in other liquids and do not clean parts in dishwasher.
- Disconnect the power plug after using the appliance, before cleaning the appliance, before leaving the room or if a fault occurs.
- Do not disconnect the plug by pulling on the cord.
- Do not wrap the power cord around the appliance.
- Do not squeeze or bend the power cord and do not rub it on sharp edges in order to prevent any damage. Keep the power cord away from hot surfaces and open flames.

SAFETY AND SET-UP

- Do not use an extension cord with the appliance.
- Never use the appliance if the power cord or the appliance is damaged.
- Our GRUNDIG Household Appliances meet applicable safety standards, thus if the appliance or power cord is damaged, it must be repaired or replaced by a service centre to avoid any dangers. Faulty or unqualified repair work may cause danger and risks to the user.
- Do not dismantle the appliance under any circumstances. No warranty claims are accepted for damage caused by improper handling.
- Keep the appliance always out of the reach of children.
- This appliance can be used by children aged from 8 years and above and persons with reduced physical, sensory or mental capabilities or lack of experience and knowledge if they have been given supervision or instruction concerning use of the appliance in a safe way and understand the hazards involved. Children shall not play with the appliance. Cleaning and user maintenance shall not be made by children without supervision.
- Do not leave the appliance unattended as long as it is in use. Extreme caution is advised when the appliance is being used near children and people with limited physical, sensory or mental capabilities.
- Before using the appliance for the first time, clean all parts which come into contact with water carefully. Please see full details in the "Cleaning and Care" section.
- Dry the appliance before connecting it to the mains supply.

SAFETY AND SET-UP

- Never operate or place any part of this appliance near hot surfaces such as gas burner, hotplate or heated oven.
- Operate the appliance with delivered parts only.
- Operate the appliance with its original base. Do not use the base for any other purpose.
- Do not use the appliance with damp or wet hands.
- Always use the appliance on a stable, flat, clean and dry surface.
- Make sure that there is no danger that the power cord could be accidentally pulled or that someone could trip over it when the appliance is in use.
- Position the appliance in such a way that the plug is always accessible.
- Hold the appliance by the handle only. There is a danger of burns. Avoid contact with hot surfaces as well as with the emitting steam.
- Position the lid so that the hot steam is directed away from you.
- Do not open the lid while the water is boiling. Be careful while you are opening the lid after the water has boiled. The steam which comes out of the kettle is very hot.
- Make sure that the lid always remains closed properly when using the kettle.
- Never fill the appliance above the maximum level indicator. If it is overfilled, then boiling water may splash out.
- Do not fill the kettle below the minimum level indicator.
- Never operate the appliance without any water inside it.
- Do not fill the kettle when it is fitted on its base.
- Do not stick any foreign objects on the appliance.

AT A GLANCE

Dear Customer,

Congratulations on the purchase of your new GRUNDIG kettle WK 7850 B - R - C.

Read the following user notes carefully to ensure full enjoyment of your quality Grundig product for many years to come.

A responsible approach!



GRUNDIG focuses on contractually agreed social working conditions with fair wages for both internal employees and suppliers. We also attach great importance to the efficient use of raw materials

with continuous waste reduction of several tonnes of plastic every year. Furthermore, all our accessories are available for at least 5 years.

For a future worth living.
Grundig.

Controls and parts

See the figure on page 3.

- A** Spout
- B** Water filter (inside)
- C** Lid
- D** Handle
- E** Water level indicator
- F** On/Off switch
- G** Base
- H** Cable coil
- I** Water tank



Important information and useful hints about usage.



WARNING: Warnings for dangerous situations concerning the safety of life and property.



Do not immerse the appliance, power cord or power plug in water or in other liquids.



Materials are intended to be in contact with food.

INFORMATION




Descaling the kettle

- 1 Fill the heater with water up to the maximum level and boil.
- 2 After the heater is switched off, unplug the appliance.
- 3 Add 2 cups of white vinegar or 1 tablespoon of citric acid into the boiled water.
- 4 Keep the solution in the heater for a few hours.
- 5 Then pour it and rinse the inner part of the heater thoroughly.
- 6 Fill the heater with clean water and boil it.
- 7 Then empty the heater and rinse with water again.



Note

- Let the kettle cool down between each heating process.

Caution

- Do not open the lid  as hot water could splash out. Make sure that no water splashes onto the base .
- Never use petrol solvents, abrasive cleaners, metal objects or hard brushes to clean the appliance.
- Never put the appliance, base  or power cord in water or any other liquid.

Storage

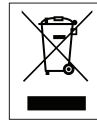
- If you do not plan to use the appliance for a long period of time, please store it carefully.
- Make sure the appliance is unplugged, cooled down and completely dry.
- Store the appliance in a cool, dry place.
- Make sure the appliance is kept out of the reach of children.
- Wind up the power cord around the cable coil  on the bottom of the base .

Handling and transportation

- During handling and transportation, carry the appliance in its original packaging. The packaging of the appliance protects it against physical damages.
- Do not place heavy loads on the appliance or the packaging. The appliance may be damaged.
- Dropping the appliance will render it non-operational or cause permanent damage.

Compliance with the WEEE Directive and Disposing of the Waste Product

This product complies with EU WEEE Directive (2012/19/EU). This product bears a classification symbol for waste electrical and electronic equipment (WEEE).



This symbol indicates that this product shall not be disposed with other household wastes at the end of its service life. Used device must be returned to official collection point for recycling of electrical and electronic devices. To find these collection systems please contact to your local authorities or retailer where the product was purchased. Each household performs important role in recovering and recycling of old appliance. Appropriate disposal of used appliance helps prevent potential negative consequences for the environment and human health.

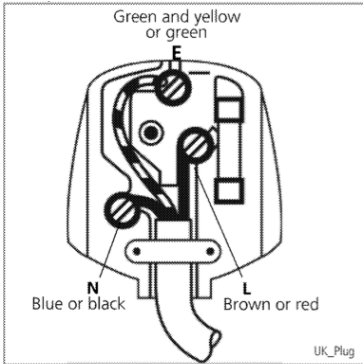
Plug Wiring

The moulded plug on this appliance incorporates a 13 A fuse. Should the fuse need to be replaced an ASTA approved BS1362 fuse of the same rating must be used. Do not forget to refit the fuse cover. In the event of losing the fuse cover, the plug must not to be used until a replacement fuse cover has been fitted. Colour of the replacement fuse cover must be the same colour as that visible on the pin face of the plug Fuse covers are available from any good electrical store.

INFORMATION

Fiting a different plug

- As the colours of the wires in the mains lead of this appliance may not correspond with the coloured markings identifying the terminals on your plug, proceed as follows:
- Brown cable = L (Live)
- Blue cable = N (Neutral)
- Green/yellow cable must be connected to ground (E) \equiv line
- With the alternative plugs a 13 A fuse must be fitted either in the plug or adaptor or in the main fuse box. If in doubt contact a qualified electrician.



Compliance with RoHS Directive

The product you have purchased complies with EU RoHS Directive (2011/65/EU). It does not contain harmful and prohibited materials specified in the Directive.

Package information



Packaging materials of the product are manufactured from recyclable materials in accordance with our National Environment Regulations. Do not dispose of the packaging materials together with the domestic or other wastes. Take them to the packaging material collection points designated by the local authorities.

Technical data



Power supply: 220-240 V ~, 50-60 Hz
Power: 2520-3000 W

Technical and design modifications reserved.



For commissioning, general use and cleaning, please observe the instructions on pages 4-6 of this operating manual.

24 months breakdown and repair guarantee

Guarantor: **Beko plc, 1 Greenhill Crescent, Watford, Hertfordshire. WD18 8UF**

The guarantee does not in any way diminish your statutory or legal rights.

Your appliance has the benefit of our manufacturer's guarantee which covers the product for 24 months from the date of original purchase.

This gives you reassurance that if within that time, your appliance is proven to be defective because of either workmanship or materials, we will at our discretion either repair or replace your appliance.

The appliance must be correctly installed, located and operated in accordance with the instructions contained in the user manual. The guarantor disclaims any liability for accidental or consequential damage.

The Guarantee is subject to the following conditions:

- Documentary proof of the original purchase date is provided.
- The appliance has been installed and operated correctly in accordance with our operating and maintenance instructions.
- The appliance is used only on the electricity supply shown on the rating plate.
- The appliance has only been used for normal domestic purposes.
- The appliance has not been altered, serviced, dismantled or otherwise interfered with by any person.
- The appliance is used in the United Kingdom or the Republic of Ireland.
- Any parts removed during repair work or any product that has been replaced becomes our property.
- The guarantee is not transferrable if the product is resold.

The Guarantee does not cover:

- Transit, installation or delivery damage.
- Accidental damage.
- Misuse or abuse.
- Replacement of any consumable item or accessories. These include but are not limited to: plugs, cables, light bulbs, knobs, filters and flaps.
- Repairs or replacements required as a result of unauthorised repairs or inexpert installation that fails to meet the requirements contained in the user guide or instruction book.
- Repairs to products used in commercial or non-residential household premises.

How to obtain after sales service, help or general advice

Please keep your purchase receipt or other proof of purchase in a safe place as you will need to show us this document if your product requires attention within the guarantee period.

Please also record your product details below, which will allow you to access our services more quickly and help us identify your product. The model number is printed on the front of the user guide and the serial and model number is shown on your products rating plate.

Model number	Serial number	Purchased from	Date of purchase

Please call our UK based Customer Service department if you need urgent help or advice from us:

United Kingdom and Northern Ireland: **0333 207 9920**
Republic of Ireland: **01 691 0203**
You can also contact us through our website: **www.grundig.co.uk**

Beko Grundig Deutschland GmbH
Thomas-Edison-Platz 3
63263 Neu-Isenburg

www.grundig.co.uk